

Using Fuzzy Inference System to Estimate the Minimized Effective Dose and Critical Organ in Pediatric Nuclear Medicine

Ying Bai

Dept of Computer Science & Engineering
Johnson C. Smith University
Charlotte, NC USA
ybai@jcsu.edu

Dali Wang

Dept of Physics & Computer Science
Christopher Newport University
Newport News, VA, USA
dwang@pcs.cnu.edu

Abstract - Many techniques and research models on calculating and reducing the nuclear radiation dose on pediatric nuclear medicine procedure have been developed and reported in recent years. However, most those models either utilized simple shapes to present the organs or used more realistic models to estimate the nuclear dose applied on pediatric patients. The former are too simple to provide accurate estimation results, and the latter are too complicated to intensively involve complex calculations. In this study, a simple but practical model is developed to enable physicians to easily and quickly calculate and select the average optimal effective nuclear dose and critical organs for the given age and weight of the pediatric patients. This model is built based on one research result reported by a group of researchers, and it can be easily implemented in most common pediatric nuclear medicine procedures. This is the first research of using fuzzy inference system to calculate the optimal effective dose applied in the nuclear medicine for pediatric patients.

Keywords-fuzzy inference system; reduction of nuclear radiation dose; pediatric nuclear medicine; optimized nuclear radiation dose; nuclear medicine

I. INTRODUCTION

Nuclear medicine provides important and critical information that assists in the diagnosis, treatment, and follow-up of a variety of disorders on pediatric patients, including central nervous, endocrine, cardiopulmonary, renal, and gastrointestinal systems, as well as in the fields of oncology, orthopedics, organ transplantation, and surgery. Due to its high sensitivity, nuclear medicines can detect some disease in its earliest stages to enable it to be treated earlier. The noninvasive nature of nuclear medicine makes it an extremely valuable diagnostic tool for the evaluation of children. It provides useful diagnostic information that may not be easily obtained by using other diagnostic methods, some of them may be more invasive or contain some higher nuclear radiations [1][2].

Pediatric nuclear medicine includes the application of small amounts of radiopharmaceuticals that emit nuclear radiations such as γ -rays, β -particles, or positrons to patients during the diagnostic process. This emission exposes the

pediatric patients to low levels of nuclear radiations that might be result in harmful health effects on pediatric patients. In most nuclear medicine procedures, the amounts of radiation (dose) applied on pediatric patients are limited to certain low levels, but they are contradictory to the mechanistic biologic observations. It had been difficult for most physicians to effectively assess the magnitude of exposure or potential risk due to implementation of nuclear radiations on pediatric treatments. The challenge job is how to make a trade-off between the nuclear radiation dose applied on the pediatric patients and the quality of the diagnostic results, and to select or determine an optimal or minimized effective dose and critical organs to reduce the risk of nuclear radiations [3]. Effective dose provides an approximate indicator of potential detriment from nuclear radiation and should be used as one parameter in evaluating the appropriateness of examinations involving nuclear radiation. In addition, the organ receiving the highest dose is referred to as the critical organ. In fact, effective dose is a calculated quantity and cannot be measured. Multiplying the average organ equivalent dose by the International Commission on Radiological Protection (ICRP) tissue-weighting factor and summing the results over the whole body yields the effective dose [4]. Although effective dose is an average evaluation value, it is still an important parameter in estimation of average potential risks of nuclear radiation on patients.

Because of the popular applications of nuclear medicines on pediatric diagnostics and treatments, remarkable increase in the use of nuclear medical procedures have been shown in the US in recent years [5]. Different techniques and models have been reported and developed to optimize the nuclear radiation dose to reduce the risk of nuclear radiations on patients in last decades [6-8, 12, 14-15]. One of the most important reasons for these developments is to reduce the potential risk of cancers that results from the nuclear radiations exposed from the usage of the nuclear medicine procedures [16-32].

R. Accorsi et al. [9] provided a method to improve the dose regimen in pediatric Positron Emission Tomography

(PET). Some other research organizations reported different radiation sources used in nuclear medicines in recent years [10][11]. R. Fazel et al. [13] developed a procedure to use low-dose ionizing radiation in medical image process. Frederic H. Fahey, S. Ted Treves, and S. James Adelstein provided a survey to review most recent developments in using minimized dose to reduce the risk of inducing cancer [16]. R. Loevinger et al. [17] reported a method to calculate the absorbed dose to limit the effects of radiations. Stabin MG and Siegel JA discussed some popular physical models and dose factors for use in internal dose assessment [18]. V.L. Ward et al. developed a method to reduce the effective dose for the pediatric radiation exposure [22]. R.J. Preston reported a linear non-threshold dose-response model and implications for diagnostic radiology procedures [23]. M.J. Gelfand developed a method to reduce the dose applied in pediatric hybrid and planar imaging process [25]. E. Hsaio et al. reported a technique to reduce the radiation dose in Mercaptoacetyltrig (MAG3) renography by enhanced planar processing [27]. Other researchers reported different techniques and methods to reduce radiation exposures in nuclear medicine and medicine image processing [28-32].

However, most of these technologies either utilized simple shapes to present the organs or used more realistic models to estimate the nuclear dose applied on pediatric patients. The former are too simple to provide accurate estimation results, and the latter are too complicated to intensively involve complex calculations. Also, these estimations are averages over a wide range of patients at each age and they are not related to individual differences in anatomy and physiology from the standard models. Application of these pediatric models is problematic because children can vary greatly in body size and habitus. A good model should deal with both the children's age and the body-size to determine the optimal effective dose.

The advantage of using our model as discussed in this paper is that the physicians can easily and quickly calculate and select the optimal or minimized effective dose based on the given age and body-size of the pediatric patient to significantly reduce the effects of nuclear radiations on patients. This kind of model will be more suitable and appropriate for pediatric examination and diagnoses.

The organization of this paper is straightforward. Following the Introduction, the methodology and materials used in this paper are presented. The Fuzzy Inference System (FIS) is introduced in Section 3. In Section 4, the results and conclusion are provided.

II. MATERIALS AND METHODS

We used the FIS to build a dynamic model to set a mapping relationship between each age, weight and the desired optimal effective dose and critical organs for pediatric patients' groups. All related data and operational parameters used for this model are based on data provided by Fahey et al. [16]. The estimates of critical organ and effective dose for common pediatric nuclear medicine

procedures developed in [16] are shown in Table 1; it shows estimated relationships between the pediatric patients' ages, weights and effective doses as well as critical organs for 99mTc-ECD.

TABLE 1. CRITICAL ORGAN AND EFFECTIVE DOSE.

	Max admin act (MBq)	1-y-old	5-y-old	10-y-old	15-y-old	Adult
Mass (kg)		9.7	19.8	33.2	56.8	70
^{99m} Tc-MDP [‡]	740					
Bone surface (mGy)		54.5	46.0	45.6	49.2	46.6
Effective dose (mSv)		2.8	2.9	3.9	4.2	4.2
^{99m} Tc-ECD [†]	740					
Bladder wall (mGy)		13.4	23.0	30.5	37.2	37.0
Effective dose (mSv)		4.1	4.6	5.3	5.9	5.7
^{99m} Tc-sestamibi [‡]	740					
Gallbladder (mGy)		32.9	20.9	20.4	27.0	28.9
Effective dose (mSv)		5.4	5.9	6.3	7.2	6.7
^{99m} Tc-MAG3 [‡]	370					
Bladder wall (mGy)		17.2	19.8	31.3	44.1	42.7
Effective dose (mSv)		1.2	1.3	2.2	2.8	2.7
¹²³ I-MIBG [‡]	370					
Liver (mGy)		16.6	18.5	22.4	25.6	24.8
Effective dose (mSv)		3.4	3.8	4.5	5.0	4.8
¹⁸ F-FDG [†]	370					
Bladder wall (mGy)		25.6	35.9	44.4	48.8	50.5
Effective dose (mSv)		5.2	5.9	6.6	7.3	7.4

* Based on ICRP 80 (25), † Based on ICRP 106 (26).
 Max admin act = maximum administered activity is that administered to adult or large child (70 kg) (administered activities for smaller children are scaled by body weight); ECD = ethyl cysteinat dimer; MIBG = meta iodo benzyl guanidine.

It can be seen from Table 1 that it only provided limited information between certain children ages with selected weights and the minimized nuclear effective dose and critical organs. In other words, the relationship or mapping between the children ages, weights and the optimal effective dose and critical organs is incomplete or discrete because it does not provide all optimal effective doses and critical organs for any given children age and weight group.

To improve that incomplete and discrete model, in this study, we will use a FIS to build a complete and continuous model to provide all related optimal effective doses and critical organs for different given children ages and weights groups in a simple and easy way. In fact, we will use the FIS to interpolate the optimal effective dose and critical organs based on the specified age and weight of each child group to simplify the calculation and estimation process for the effective dose and the critical organ.

To make our study simple, we only use the bladder wall with 99mTc-ECD as an example to illustrate how to use FIS to simplify this effective dose calculation and critical organ estimation process. This study can be easily extended to cover all other organs and methods shown in Table 1.

The basic idea behind this model development is based on the fact, that the optimal effective dose and critical organs are not continuous functions for all different given

ages and weights located between known ages and weights. Also the relationship between the minimized effective dose, critical organs and different age-weight is ambiguous, or at least it is not a linear function. Therefore, we need to use the fuzzy inference algorithm to derive those optimal effective doses and critical organs for all those ‘missed’ age-weight pairs. In fact, we use fuzzy inference method to interpolate those optimal effective doses and critical organs for any specified age-weight pair.

III. FUZZY INFERENCE SYSTEM

We use given age and weight of the pediatric patient as inputs, and the optimal effective doses and critical organs as outputs for a fuzzy inference system. Therefore, this is a multi-input and multi-output system. Both inputs and output are connected and controlled by the fuzzy system control rules. Fig. 1 shows the block diagram of this fuzzy inference system.

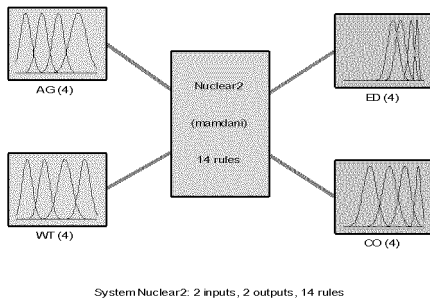


Fig. 1. Block diagram of the fuzzy inference system (FIS).

As for the membership functions for two inputs, pediatric patient Age and Weight, we utilized gaussform as the shape for both of them. Similarly, this shape is also used for two outputs, the optimal effective dose and the critical organ.

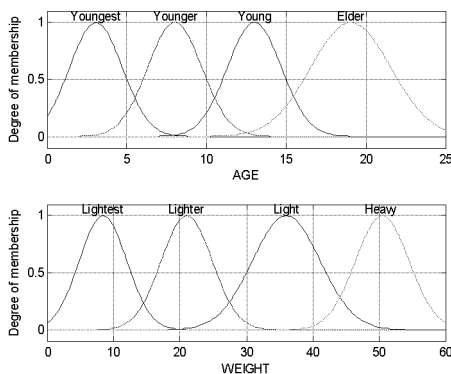


Fig. 2. MFs for two inputs - patient age (AG) and weight (WT).

The membership functions for both inputs (patient’s age - AG and weight - WT) are shown in Fig. 2. The membership functions for two outputs (effective dose - ED and critical organ - CO) are shown in Fig. 3, respectively. Those membership functions are derived based on the data provided in [16] for common pediatric nuclear medicine procedures.

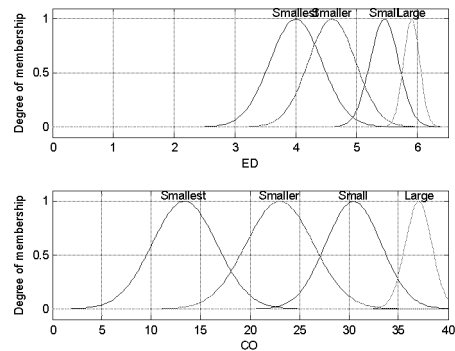


Fig. 3. MFs for outputs - effective dose (ED) and critical organ (CO).

TABLE 2. MF FOR THE PEDIATRIC PATIENT’S AGE

AG (years old)	0 ~ 7	4 ~ 12	9 ~ 17	13 ~ 25
MF	Youngest	Younger	Young	Elder

TABLE 3. MF FOR THE PEDIATRIC PATIENT’S WEIGHT

WT (kg)	0 ~ 17	12 ~ 30	24 ~ 48	40 ~ 60
MF	Lightest	Lighter	Light	Heavy

TABLE 4. MF FOR THE EFFECTIVE DOSE

ED (mSv)	3.0 ~ 5.0	3.7 ~ 5.5	4.9 ~ 6.0	5.6 ~ 6.2
MF	Smallest	Smaller	Small	Large

TABLE 5. MF FOR THE CRITICAL ORGAN

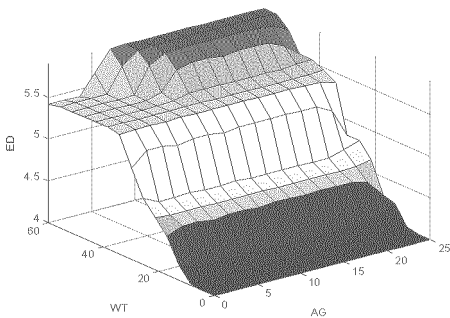
CO (mGy)	5.6 ~ 21.0	15.0 ~ 31.0	23.8 ~ 37.0	33.9 ~ 40.0
MF	Smallest	Smaller	Small	Large

The definitions for the membership functions of the pediatric patient’s age and weight are shown in Tables 2 and 3, and the membership functions for effective dose and critical organs are shown in Tables 4 and 5.

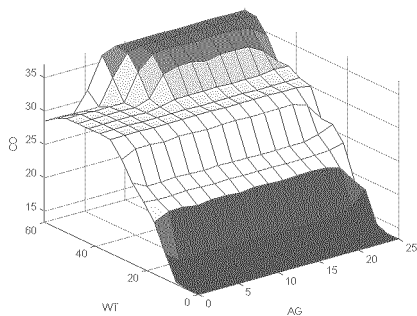
For this implementation, fourteen control rules are developed based on the input-output membership functions. These fourteen control rules are shown in Table 6. The surface relationship between the output effective dose (ED) and the inputs, age (AG) and weight (WT), is shown in Fig. 4a, and the surface of the critical organ (CO) over the age (AG) and the weight (WT) is shown in Fig. 4b. The weights of the rules are calculated based on [16].

TABLE 6. FOURTEEN FUZZY CONTROL RULES

1. If (AG is Youngest) & (WT is Lightest) then (ED is Smallest) & (CO is Smallest) (1)
2. If (AG is Youngest) & (WT is Lighter) then (ED is Smaller) & (CO is Smaller) (1)
3. If (AG is Youngest) & (WT is Light) then (ED is Small) & (CO is Small) (1)
4. If (AG is Younger) & (WT is Lightest) then (ED is Smallest) & (CO is Smallest) (1)
5. If (AG is Younger) & (WT is Lighter) then (ED is Smaller) & (CO is Smaller) (1)
6. If (AG is Younger) & (WT is Light) then (ED is Small) & (CO is Small) (1)
7. If (AG is Young) & (WT is Lightest) then (ED is Smallest) & (CO is Smallest) (1)
8. If (AG is Young) & (WT is Lighter) then (ED is Smaller) & (CO is Smaller) (1)
9. If (AG is Young) & (WT is Light) then (ED is Small) & (CO is Small) (1)
10. If (AG is Young) & (WT is Heavy) then (ED is Large) & (CO is Large) (1)
11. If (AG is Elder) & (WT is Lightest) then (ED is Smallest) & (CO is Smallest) (1)
12. If (AG is Elder) & (WT is Lighter) then (ED is Smaller) & (CO is Smaller) (1)
13. If (AG is Elder) & (WT is Light) then (ED is Small) & (CO is Small) (1)
14. If (AG is Elder) & (WT is Heavy) then (ED is Large) & (CO is Large) (1)



(a) Effective does over inputs.



(b) Critical Organ over inputs.

Fig. 4. The surfaces between inputs and outputs.

IV. RESULTS AND CONCLUSION

Based on the membership functions of two inputs, patient’s age and weight, and the membership functions of two outputs, effective dose and critical organ, the desired optimal effective dose and the estimated critical organ for the given patient’s age and weight can be easily determined and obtained directly from the fuzzy rule relationship. Fig. 5 shows this kind of model for the calculation of optimal effective dose and critical organs used in pediatric bladder wall inspection using the nuclear medicine procedures.

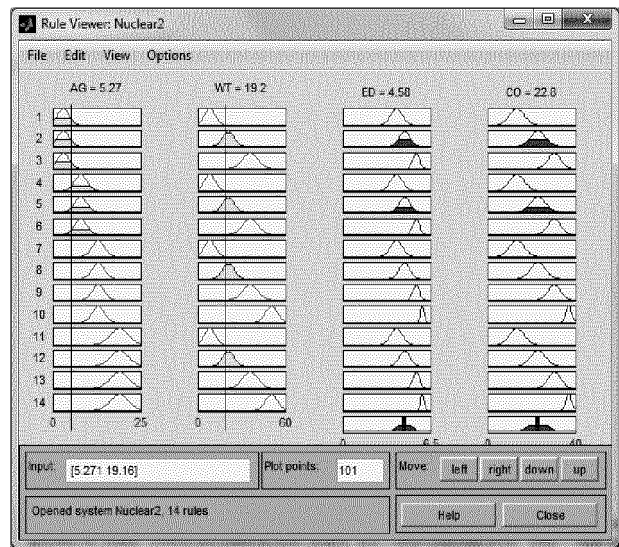


Fig. 5. The fuzzy rule mapping between the inputs and the outputs.

In Fig. 5, a typical pediatric patient age (5.27 years old) and weight (19.2 kg) are selected. The related optimal effective dose (4.58 mSv) and the critical organ (22.8 mGy) are determined directly from this fuzzy rule relationship.

During the implementation process, the vertical bars on both inputs, patient’s age and weight, can be moved by the pediatric physician to either left or right to select the specified age and weight group of pediatric patients, and the desired optimal effective dose and critical organ can be easily determined directly from this fuzzy input-output rules relationship map. This model provides great flexibility and simplicity to determine the optimal effective dose and critical organs for common pediatric nuclear medicine procedures.

We can also easily build a similar FIS model by using the data provided in [16] and the method proposed by Ying et al. [33] to determine the related optimal effective doses and the desired critical organ for all other kinds of pediatric organs’ nuclear medicine procedures.

A flexible and simple model used to set a fuzzy mapping relationship between the pediatric patients’ age-weight and the optimal effective dose and critical organs is developed in this study to enable pediatric physicians to easily and directly determine the optimal effective doses and critical organs for

the common pediatric nuclear medicine procedures. Compared with some other traditional methods, the advantage of using this model is that the pediatric physicians can easily and directly obtain the desired minimized effective dose and the critical organs from the fuzzy rule relationship based on the given group of pediatric patients' data, such as ages and weights.

ACKNOWLEDGMENT

Special thanks should be given to F. H. Fahey, S. Ted Treves, and S. James Adelstein for their permission to allow us to use their table, Table 1, in one of their papers, Minimizing and Communicating Radiation Risk in Pediatric Nuclear Medicine published in Journal of Nuclear Medicine in March 1, 2012.

REFERENCES

- [1] S.T. Treves, Pediatric Nuclear Medicine. New York, NY, Springer, 2007.
- [2] S. T. Treves, A. Baker, F.H. Fahey, X. Cao, R. T. Davis, L. A. Drubach, F. D. Grant and K. Zukotynski, Nuclear medicine in the first year of life. Journal of Nuclear Medicine. 2011, 52, pp. 905–925.
- [3] Committee to Assess Health Risks from Exposure to Low Levels of Ionizing Radiation, National Research Council. Health Risks from Exposure to Low Levels of Ionizing Radiation, BEIR VII Phase 2. Washington, DC, National Research Council of the National Academies, 2006.
- [4] A. Fred, Mettler Jr, W. Huda, T. Yoshizumi, and M. Mahesh, "Effective Doses in Radiology and Diagnostic Nuclear Medicine: A Catalog", July 2008, Radiology, 248, pp. 254-263.
- [5] National Council on Radiation Protection and Measurement. Ionizing Radiation Exposure of the Population of the United States: Report NCRP 160. Washington, DC, National Council on Radiation Protection and Measurement, 2009.
- [6] M. C. Eckerman, Specific Absorbed Fractions of Energy at Various Ages. Oak Ridge, TN, Oak Ridge National Laboratories, 1987, ORNL/TM-8381.
- [7] R. Nakazato, et al., "Myocardial Perfusion Imaging with a Solid-State Camera: Simulation of a Very Low Dose Imaging Protocol", J. of Nuclear Medicine, March 1, 2013 vol. 54, no. 3, pp. 373-379.
- [8] X. Setoain, et al., "Validation of an Automatic Dose Injection System for Ictal SPECT in Epilepsy", J. of Nuclear Medicine, February 1, 2012 vol. 53, no. 2, pp. 324-329.
- [9] R. Accorsi, J. S. Karp, and S. Surti, "Improved Dose Regimen in Pediatric PET", J. of Nuclear Medicine, February 2010, vol. 51, no. 2, pp. 293-300.
- [10] Sources and Effects of Ionizing Radiation: UNSCEAR 2008 Report. Volume I: Sources—Report to the General Assembly Scientific Annexes A, B. New York, NY: United Nations; 2010.
- [11] F.A. Mettler et al., Radiologic and nuclear medicine studies in the United States and worldwide, frequency, radiation dose, and comparison with other radiation sources, 1950-2007, Radiology. 2009, 253, pp. 520-531.
- [12] A.L. Dorfman et al., "Use of medical imaging procedures with ionizing radiation in children: a population-based study", Arch Pediatr Adolesc Medicine. 2011, 165, pp. 458-464.
- [13] R. Fazel et al., "Exposure to low-dose ionizing radiation from medical imaging procedure", N Engl J Med. 2009;361: pp. 849–857.
- [14] L. Kowalczyk, Is all that scanning putting us at risk? Boston Globe. September 14, 2009, G6.
- [15] E.S. Amis and P.F. Butler., ACR white paper on radiation dose in medicine: three years later. J. of Am Coll Radiol. 2010, 7, pp. 865–870.
- [16] F. H. Fahey, S. Ted Treves, and S. James Adelstein, "Minimizing and Communicating Radiation Risk in Pediatric Nuclear Medicine", Journal of Nuclear Medicine, March 1, 2012, vol. 40, no. 1, pp. 13-24.
- [17] R. Loevinger and T.F. Budinger, MIRD Primer for Absorbed Dose Calculations (Revised Edition) Reston, VA, Society of Nuclear Medicine, 1991.
- [18] M.G. Stabin and J.A. Siegel., "Physical models and dose factors for use in internal dose assessment", Health Phys. 2003, 85, pp. 294-310.
- [19] G. Xu and K.F. Eckerman eds., Handbook of Anatomical Models for Radiation Dosimetry. Boca Raton, FL, CRC Press, 2009.
- [20] S. Whalen, C. Lee, J. Williams, and W.E. Bolch, Anthropomorphic approaches and their uncertainties to assigning computational phantoms to individual patients in pediatric dosimetry studies, Phys Med Biol. 2008, 53, pp. 453-471.
- [21] M.G. Stabin, Internal Dosimetry in Pediatric Nuclear Medicine. 3rd ed., New York, NY, Springer, 2007, pp. 513-520.
- [22] V.L. Ward et al., "Pediatric radiation exposure and effective dose reduction during voiding cystourethrography", Radiology, 2008, 249, pp. 1002-1009.
- [23] R.J. Preston, "Update on linear non-threshold dose-response model and implications for diagnostic radiology procedures", Health Phys., 2008, 95, pp. 541-546.
- [24] K.E. Thomas et al., "Assessment of radiation dose awareness among pediatricians", Pediatr Radiol., 2006, 36, pp. 823-832.
- [25] M.J. Gelfand, "Dose reduction in pediatric hybrid and planar imaging", Q J. of Nucl Med Mol Imaging, 2010, 54, pp. 379-388.
- [26] S.T. Treves, R.T. Davis, and F.H. Fahey, "Administered radiopharmaceutical doses in children: a survey of 13 pediatric hospitals in North America", J. Nucl Med., 2008, 49, pp. 1024-1027.
- [27] E. Hsaio, et al., "Reduction in radiation dose in MAG3 renography by enhanced planar processing", Radiology, December 2011, 261, pp. 907-915.
- [28] M.J. Gelfand, M.T. Parisi, and S.T. Treves, "Pediatric radiopharmaceutical administered doses: 2010 North American consensus guidelines", J. of Nucl Med., 2011, 52, pp. 318-322.
- [29] "Dose Guidelines for Pediatric Nuclear Medicine", <http://www.asrt.org/main/news-research/press-room/2010/10/14/DoseGuidelinesforPediatricNuclearMedicine>, Oct. 2010.
- [30] G. R Small, Benjamin JW Chow, and Terrence D Ruddy, "Low-dose Cardiac Imaging", Expert Rev Cardiovasc Ther., 2012, 10(1), pp. 89-104.
- [31] "Reducing Radiation Exposure in Nuclear Medicine by Novel Processing Techniques", http://www.medscape.com/viewarticle/755808_25, 2012.
- [32] H. Hricak, et al., "Managing radiation use in medical imaging: a multifaceted challenge", Radiology, 2011, 258, pp. 889-905.
- [33] B. Ying, D. Wang, and S. Gupta. "Estimate the Minimized Effective Dose and Critical Organ in Pediatric Nuclear Medicine." American Journal of Medical Case Reports vol 2., no.1 (2014): pp. 4-9.